

# Ring 100

PENDANT



## SPECIFICATION SHEET

RIng 100



### Model 1692

**Type**  
P Pendant

**Size**

24	25.5" [647mm]
36	36.9" [938mm]
48	48.4" [1229mm]
60	59.8" [1519mm]
72	71.2" [1808mm]
Custom	

### Wattage <sup>1,2</sup>

Direct <sup>3</sup>	Indirect <sup>4</sup>
<b>24"</b>	
LD 18W (2400lm)	LI 18W (2400lm)
MD 36W (4460lm)	MI 36W (4460lm)
<b>36"</b>	
LD 27W (3600lm)	LI 27W (3600lm)
MD 54W (6685lm)	MI 54W (6685lm)
<b>48"</b>	
LD 36W (4800lm)	LI 36W (4800lm)
MD 72W (8915lm)	MI 72W (8915lm)
<b>60"</b>	
LD 45W (6000lm)	LI 45W (6000lm)
MD 90W (11145lm)	MI 90W (11145lm)
<b>72"</b>	
LD 54W (7200lm)	LI 54W (7200lm)
MD 108W (13375lm)	MI 108W (13375lm)

XD – No Direct      XI – No Indirect

**Color Temp <sup>5</sup>**

30	3000
35	3500
40	4000

**Voltage**  
2 220/240 Volt

**Driver**

RD	Remote
ID	Integral (in canopy)

**Control - RD**

S	Non-dim
D010	0-10V
DALI	DALI
SWD	SwitchDIM
X	If integral driver is selected

### Control – ID (in canopy - if selected)

S	Non-dim
D010	0-10V
DALI	DALI
X	If remote driver is selected

### Diffuser Bottom

SW	Satin opal acrylic
CB	Aluminum – painted to match the fixture

### Diffuser Top

SA	Satin clear acrylic
CT	Aluminum – painted to match the fixture

### Finish <sup>6</sup>

19	Painted anodized aluminum - RAL 9006 matte
21	Painted white - RAL 9010 matte
26	Painted black - RAL 9005 matte
22	Painted custom color

### Mounting

SCRD	Straight cables - remote driver
SCID	Straight cables - driver in canopy
CERD	Center canopy - remote driver
CEID	Center canopy - driver in canopy

### Circuit

CS	Circuit - Single
CD	Circuit - Dual

### Power Cable <sup>7</sup>

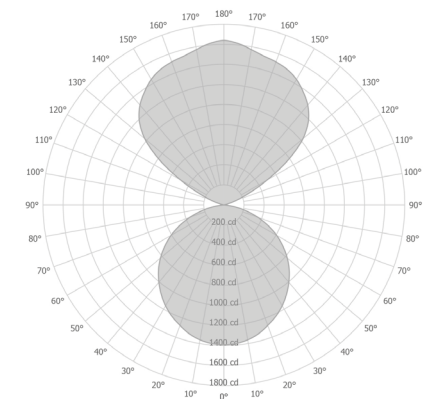
CC	Clear insulated cable (standard)
WC	White cable
BC	Black cable

### Notes

- Nominal lumens value specified
- Linear LED board, constant voltage 24 Volt
- For no Direct light specify XD
- For no Indirect light specify XI
- 90+ CRI standard
- Canopy finish matches housing
- 96" standard cable length

### Example fixture number:

1692 – P – 36 – LD – LI – 30 – 2 – RD – S – X – SW – SA – 19 – SCRd – CS – CC



# Ring 100

## PENDANT

A Direct / Indirect luminaire, the Ring 100 will fill any space with light and create a voluminous effect. In a variety of standard diameters and lumen packages, modifications can be made as your imagination will allow, including the usage of ovals and squares.



Size	
24	25.5" [647mm]
36	36.9" [938mm]
48	48.4" [1,229mm]
60	59.8" [1,519mm]
72	71.2" [1,808mm]
Custom	



\* 65mm x 100mm fixture body profile  
\* Straight cables or center canopy mounting options available

# Ring 100

PENDANT



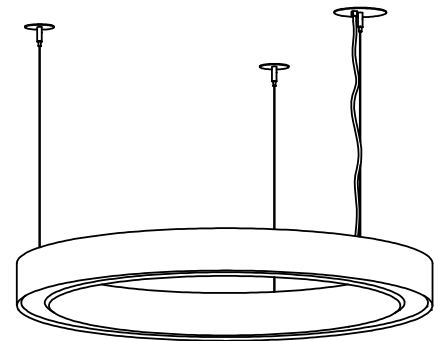
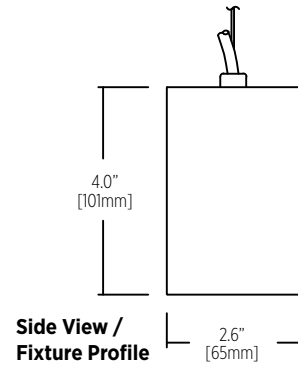
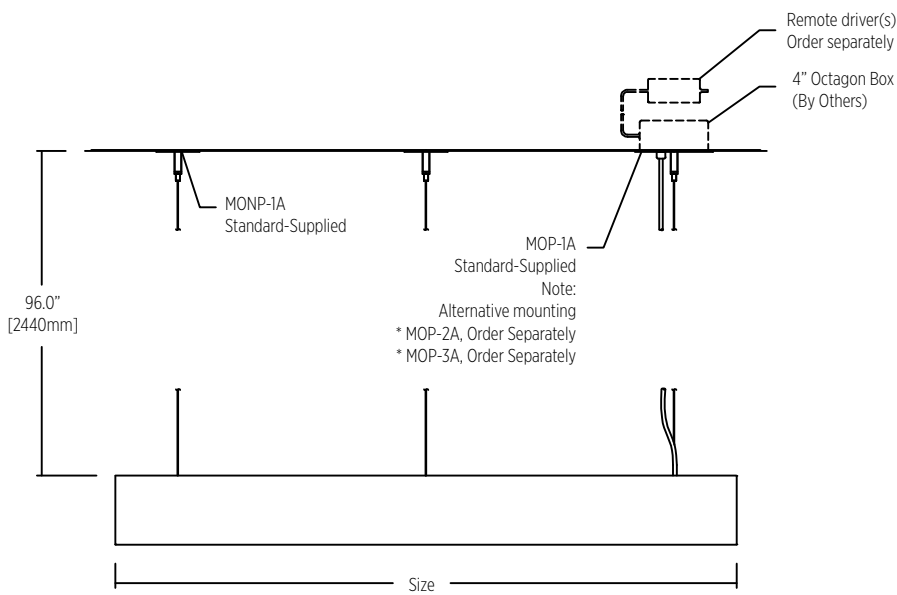
## SPECIFICATION SHEET

RIng 100



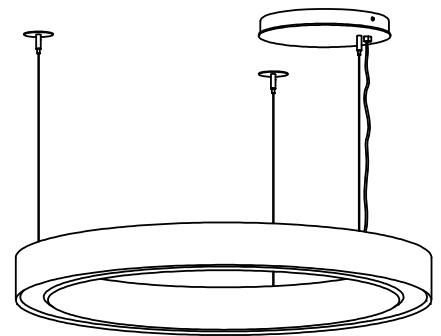
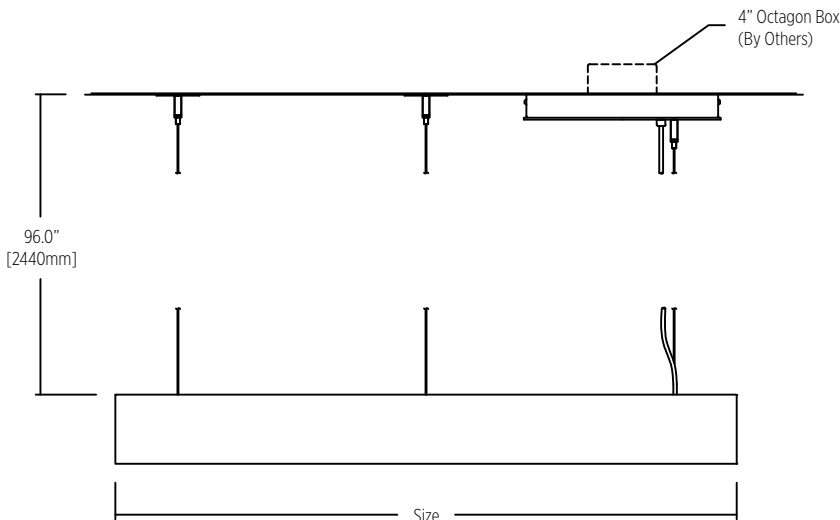
### INSTALLATION TYPE

#### Straight cables with remote driver



**Note:**  
See page 3 & 4 for mounting options

#### Straight cables with surface mounted canopy with integral driver - Order separately



# Ring 100

PENDANT

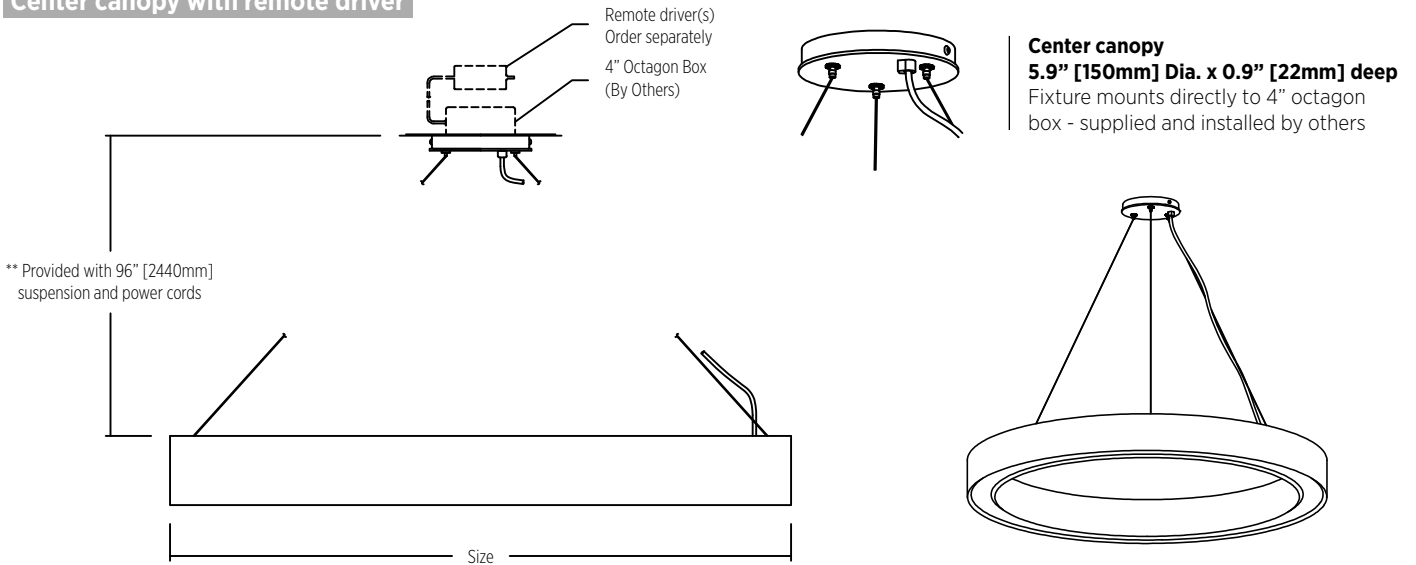


## SPECIFICATION SHEET

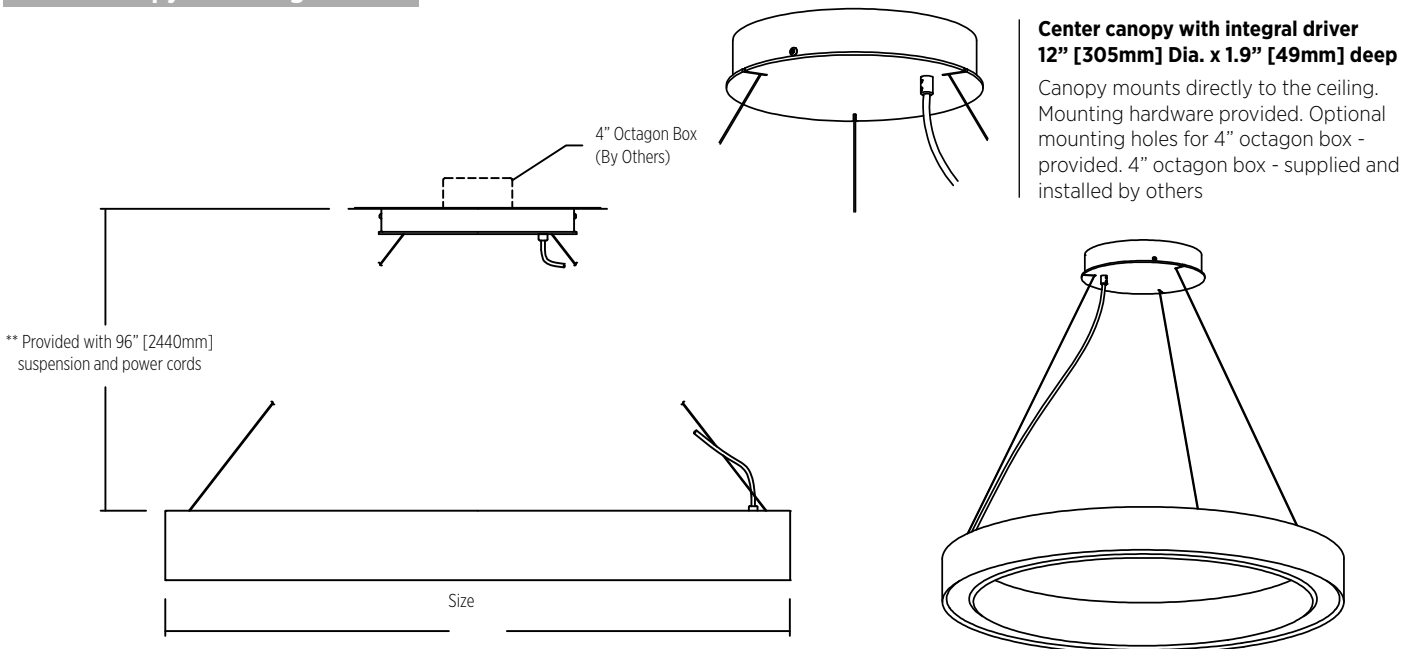
Ring 100



### Center canopy with remote driver



### Center canopy with integral driver



### Minimum mounting height per fixture size for center canopy options:

Fixture Size (Diameter)	Minimum Mounting Height
24" [647mm]	15" [380mm]
36" [938mm]	20" [510mm]
48" [1,229mm]	30" [760mm]
60" [1,519mm]	40" [1,015mm]
72" [1,808mm]	50" [1,270mm]

# Ring 100

PENDANT

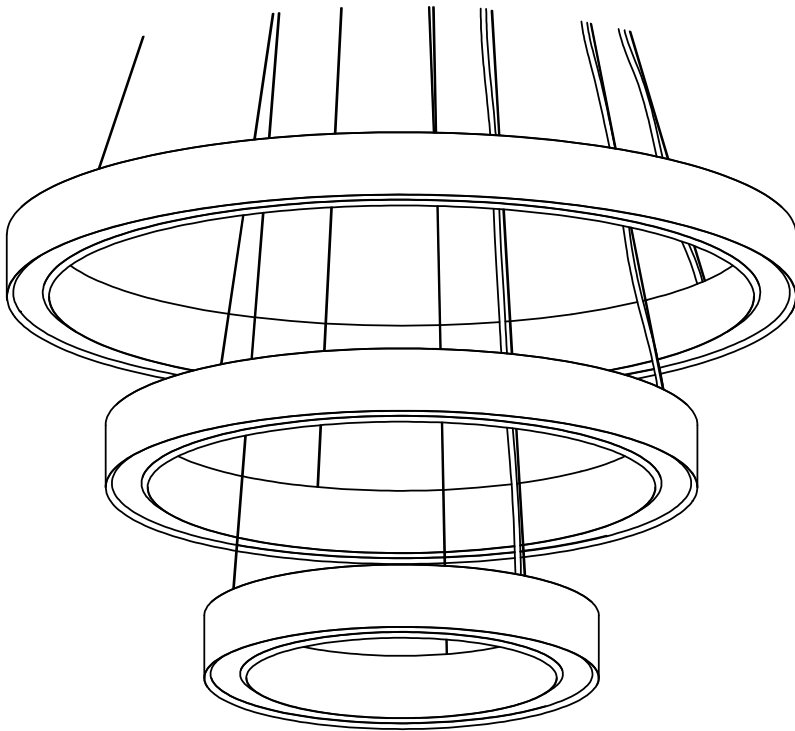


## SPECIFICATION SHEET

RIng 100

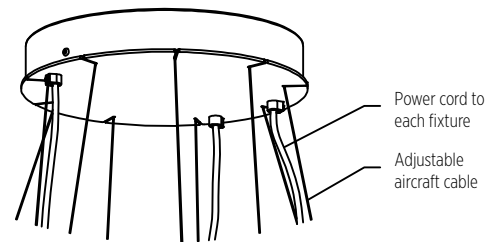


### Multiple configuration



#### Multiple fixture cluster

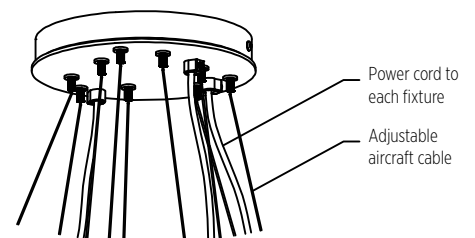
Please advise number of fixtures, size and suspension length for each fixture



#### Center canopy with integral driver 12" [305mm] Dia. x 1.9" [49mm] deep

Canopy mounts directly to the ceiling.  
Mounting hardware provided.

Optional mounting holes for 4" octagon box - provided. 4" octagon box - supplied and installed by others.



#### Center canopy with remote driver 7.5" [190mm] Dia. x 1.1" [28mm] deep

Canopy mounts directly to the ceiling.  
Mounting hardware provided.

Optional mounting holes for 4" octagon box - provided. 4" octagon box - supplied and installed by others.

# Ring 100

PENDANT



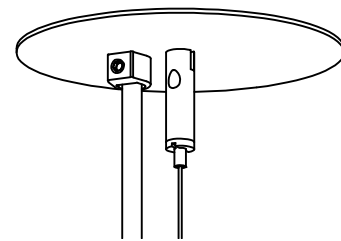
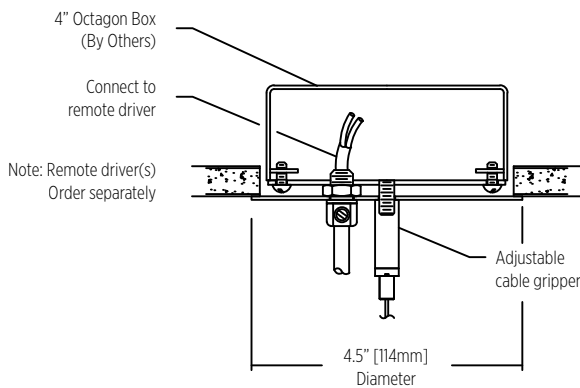
## SPECIFICATION SHEET

Ring 100



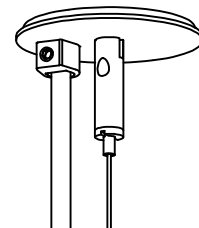
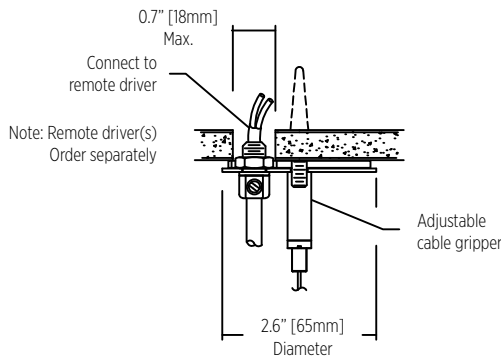
### STRAIGHT CABLES MOUNTING OPTION - POWER

#### MOP-1A Standard - Supplied



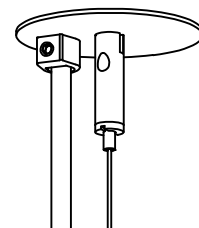
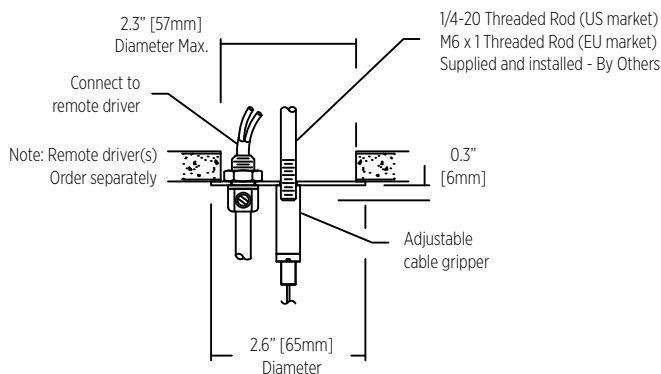
Mounting Option Power 1A  
Octagon Box (By Others)  
Installed in drywall, wood or concrete ceiling

#### MOP-2A-1 Order Separately



Mounting Option Power 2A-1  
Suspension assembly  
Installed in drywall or wood ceiling

#### MOP-2A-2 Order Separately



Mounting Option Power 2A-2  
Suspension assembly  
Installed in drywall or wood ceiling

# Ring 100

PENDANT

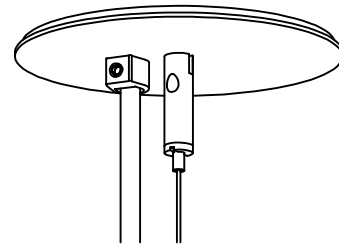
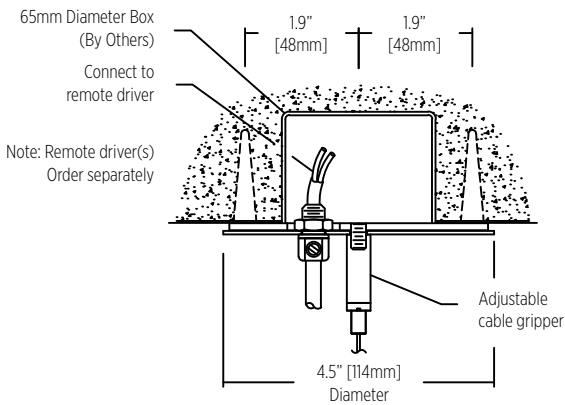


## SPECIFICATION SHEET

Ring 100



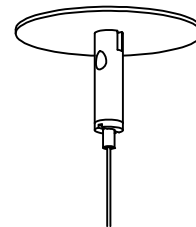
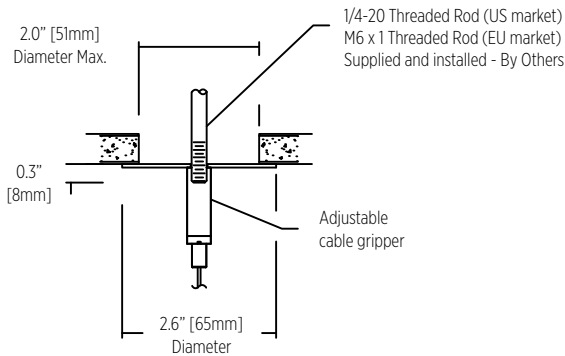
### MOP-3A Order Separately



Mounting Option Power 3A  
65mm Diameter Box (By Others)  
Installed in drywall, wood or concrete ceiling

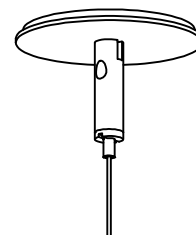
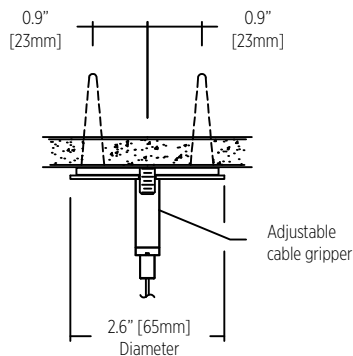
### STRAIGHT CABLES MOUNTING OPTION - NON POWER

#### MONP-1A-1 Standard - Supplied



Mounting Option - Non Power  
Threaded Rod installed  
to structural ceiling (By Others)

#### MONP-1A-2 Alternative - Supplied



Mounting Option - Non Power  
Suspension Assembly  
Installed in drywall, wood or concrete ceiling